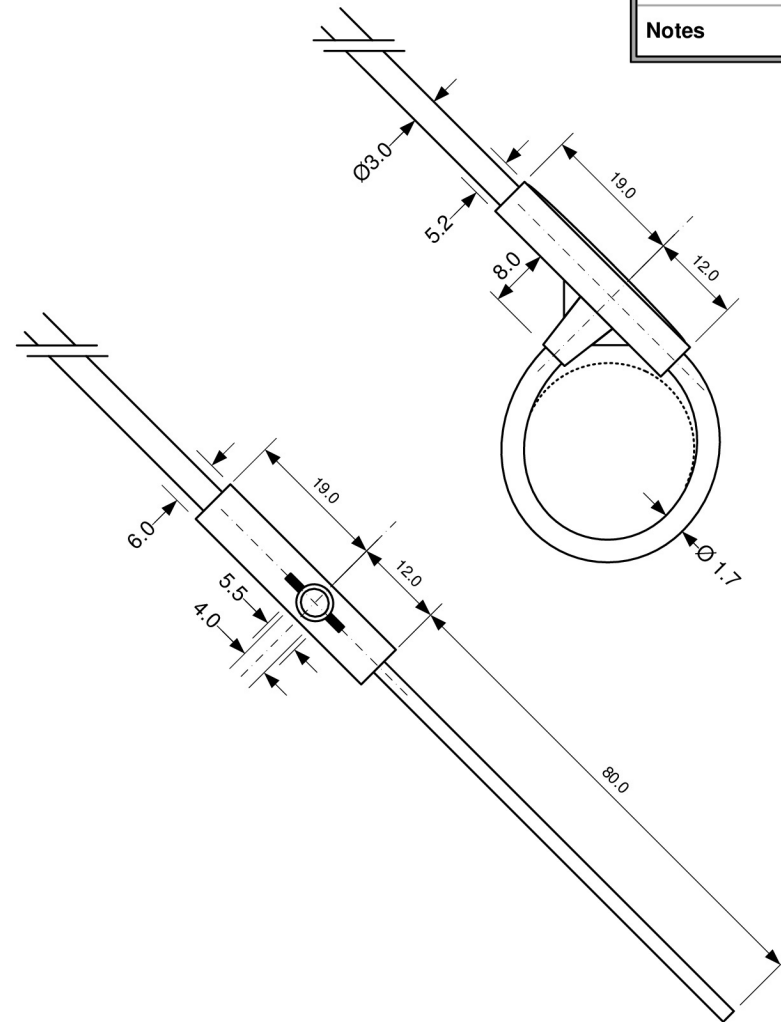
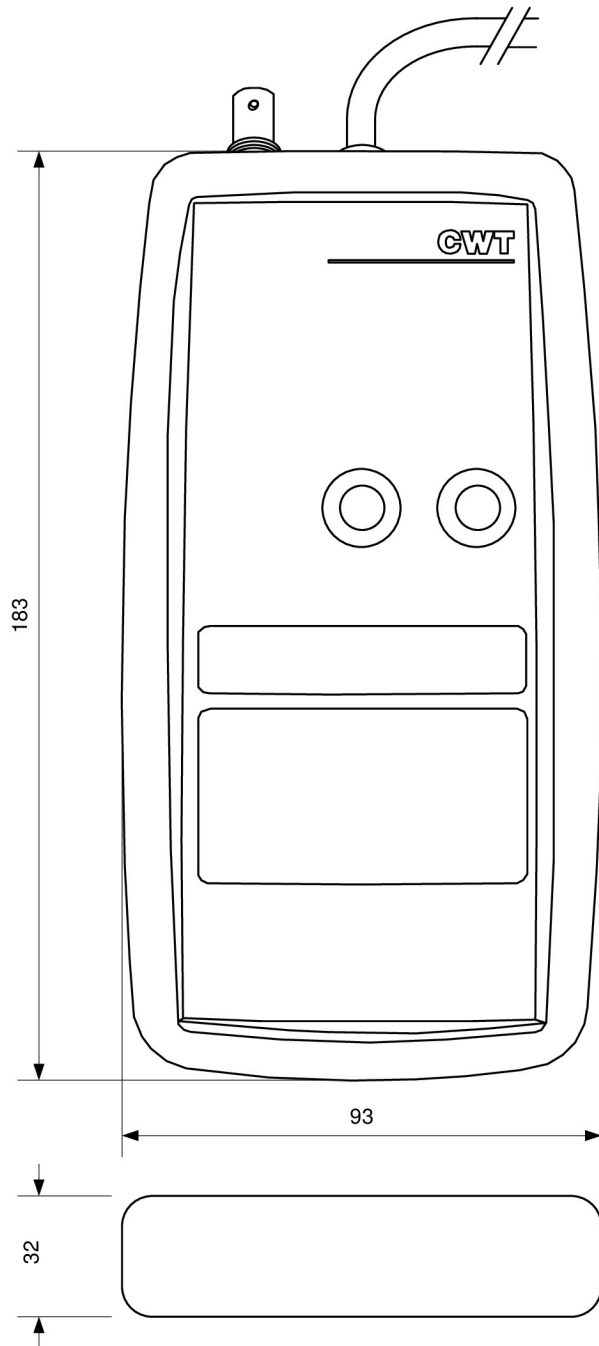


Design file	Dimension Drawing
Product file	CWTUM
Revision date	Sept 2013
Issue No.	02
Sheet No.	1 of 1
Notes	For Guidance ONLY



Coil and Cable lengths are selectable from our standard range or made to specific requirements

**All dimensions mm  
Drawing Not To Scale**