

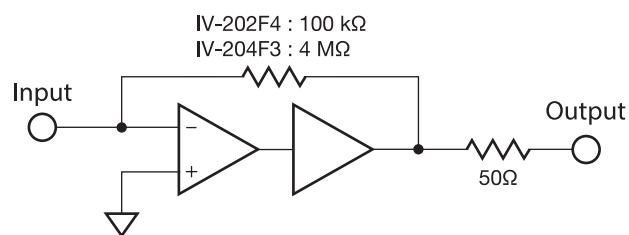


The IV-200 series is a compact current to voltage converter. These enable high precision measurements of low level current, and have adjuster counterbalancing input added capacitance to operate suitably.

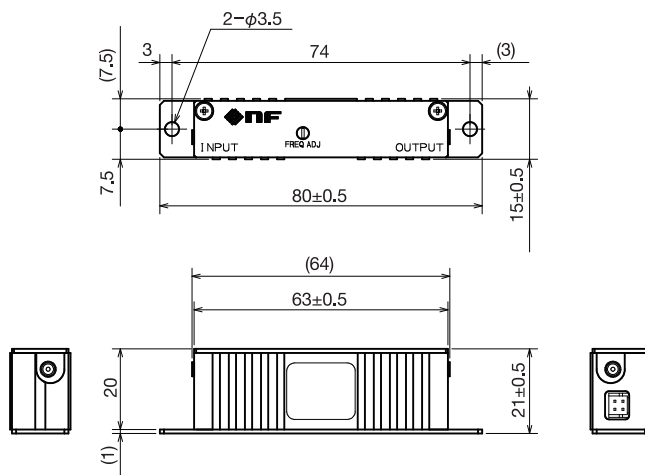
The 6-surface shielded package is a great contributor to the implementation of high precision signal processing.

	IV-202F4	IV-204F3
▼ Absolute maximum ratings		
Supply voltage ($\pm V_s$)	± 18 V	
Signal Input Current	± 20 mA	
▼ Input		
Input type	DC coupling unbalanced, single-ended input (SMB, Male)	
Input impedance	$\leq 30 \Omega$ @DC	$\leq 1.2k \Omega$ @DC
Input bias current	5 pA typ.	
Maximum input current	$\pm 100 \mu A$	$\pm 2.5 \mu A$
Equivalent input noise current density	≤ 600 fA/ \sqrt{Hz} 450 fA/ \sqrt{Hz} typ. f=10 kHz, Input opened	≤ 90 fA/ \sqrt{Hz} 70 fA/ \sqrt{Hz} typ. f=1 kHz, Input opened
Equivalent input noise current	≤ 20 nArms typ. 3 Hz to 20 MHz, Input opened	≤ 1.1 nArms typ. 3 Hz to 20 MHz, Input opened
Recommended signal source resistance	$\geq 25 k\Omega$, ≤ 20 pF	$\geq 1 M\Omega$, ≤ 50 pF
▼ Output		
Output type	DC coupling unbalanced, single-ended output (SMB, Male)	
Polarity	inverting	
Output impedance	$50 \Omega \pm 10 \%$	
Maximum output voltage	± 10 V	
Maximum output current	± 5 mA	
Output offset voltage	$\leq \pm 10$ mV, Input open	
▼ Amplifier		
Gain(V/A)	1×10^5 V/A $\pm 5 \%$	4×10^6 V/A $\pm 5 \%$
Frequency characteristic	DC to 10 MHz Reference frequency 10kHz +1 to -3 dB	DC to 1 MHz Reference frequency 10kHz +1 to -3 dB
▼ Power Supply		
Operating voltage range	± 15 V ± 1 V	
Quiescent current	± 40 mA (max), ± 25 mA (typ.) With no signal, $V_s = \pm 15$ V	
Connector	DF11-4DP-2DS(52)(4 pins, Male) (HIROSE ELECTRIC)	
▼ General		
RoHS	Directive 2011/65/EU	
Adjuster counterbalancing input added capacitance	Adjust frequency characteristic when the characteristic has "peak" with high capacitance adding input.	
Specified temperature	$23 \text{ }^\circ\text{C} \pm 5 \text{ }^\circ\text{C}$	
Operating environment	0 to $40 \text{ }^\circ\text{C}$, 10 % RH to 90 % RH	
Storage environment	$-10 \text{ }^\circ\text{C}$ to $60 \text{ }^\circ\text{C}$, 10 % RH to 80 % RH	
Dimensions(mm)	80x15x21 (not including protrusions)	
Weight	Approx. 25 g	
Accessories	Instruction manual, DC power cable	

Block Diagram



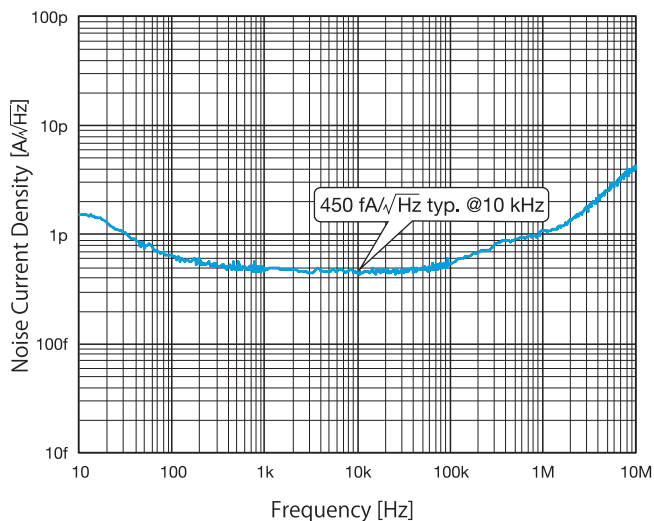
Dimensions



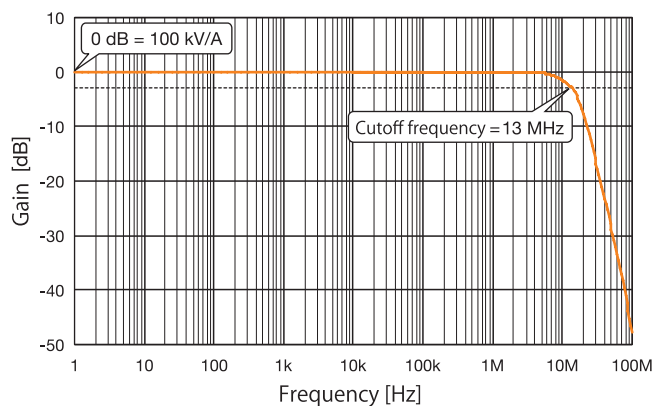
Characteristics

■ IV-202F4

Noise

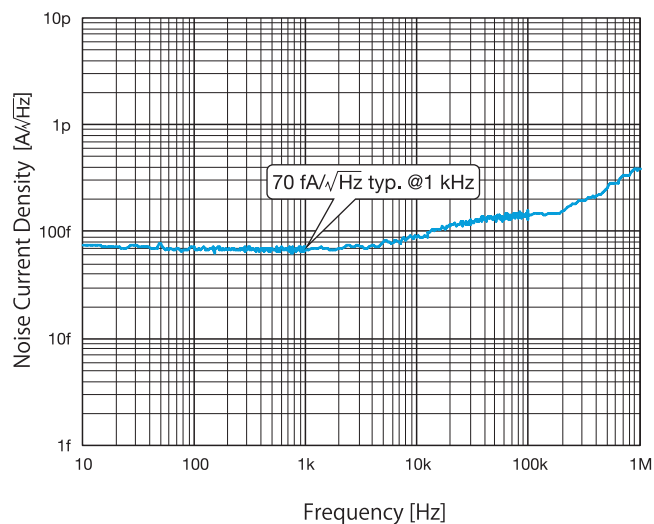


Frequency



■ IV-204F3

Noise



Frequency

