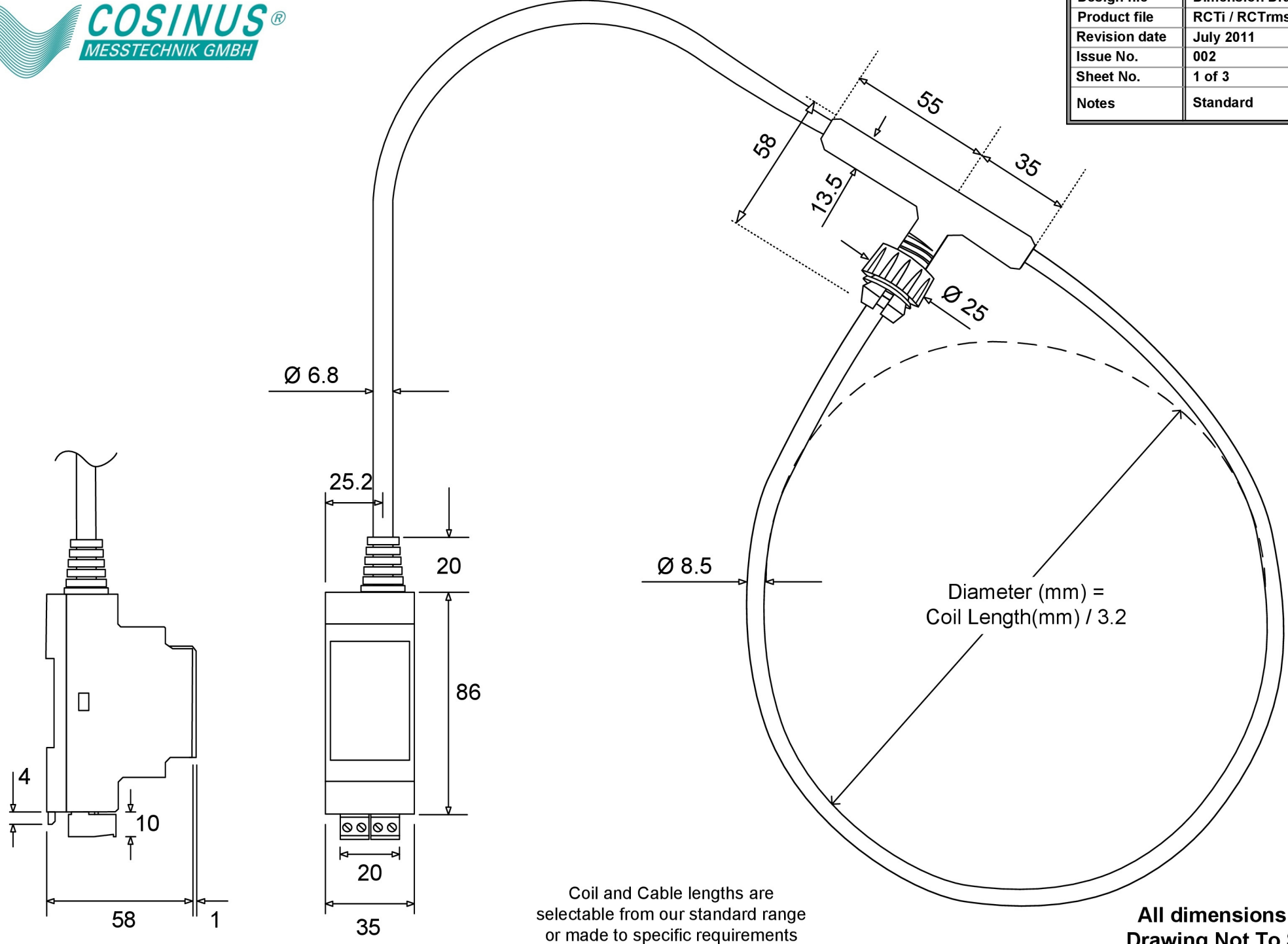


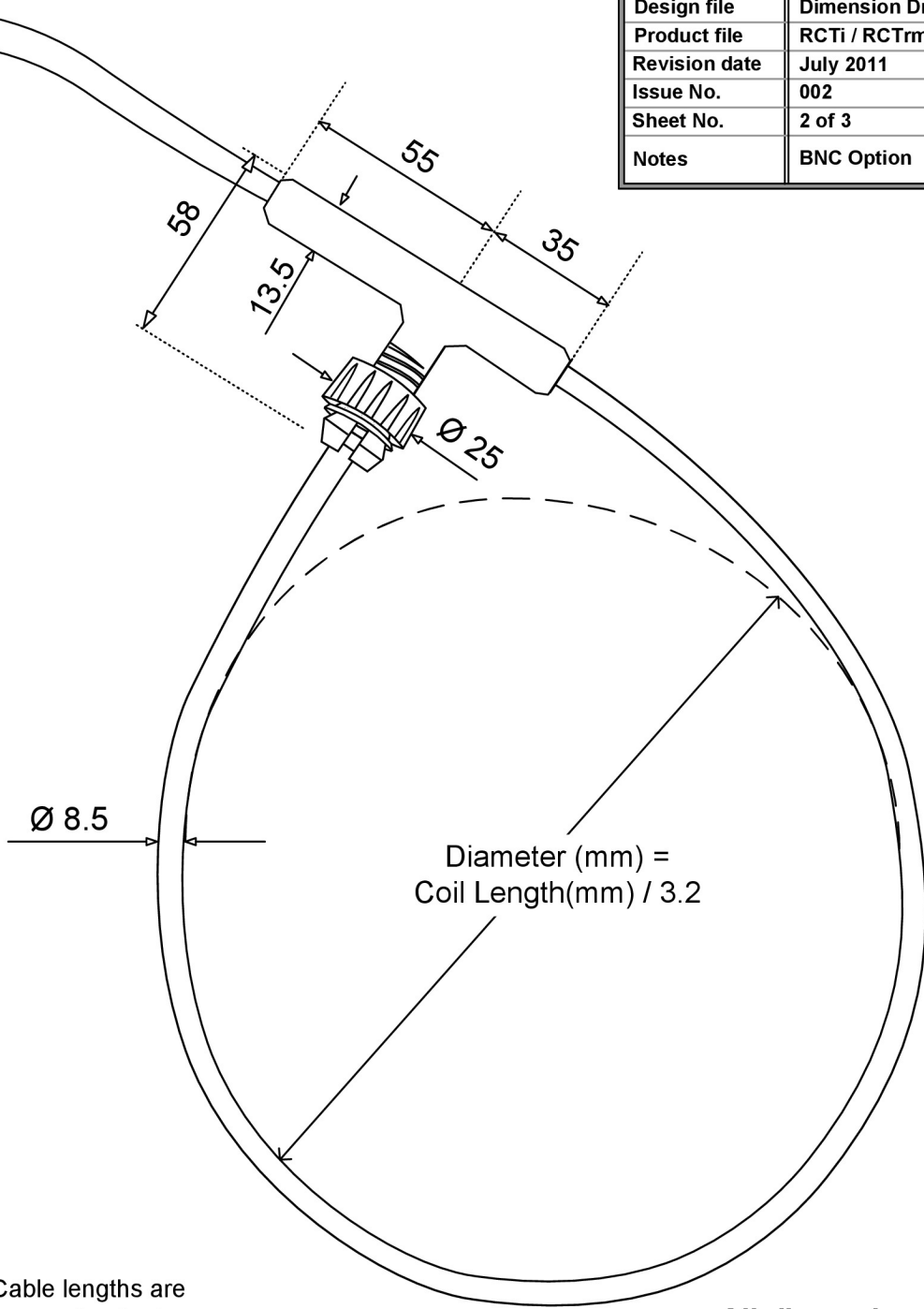
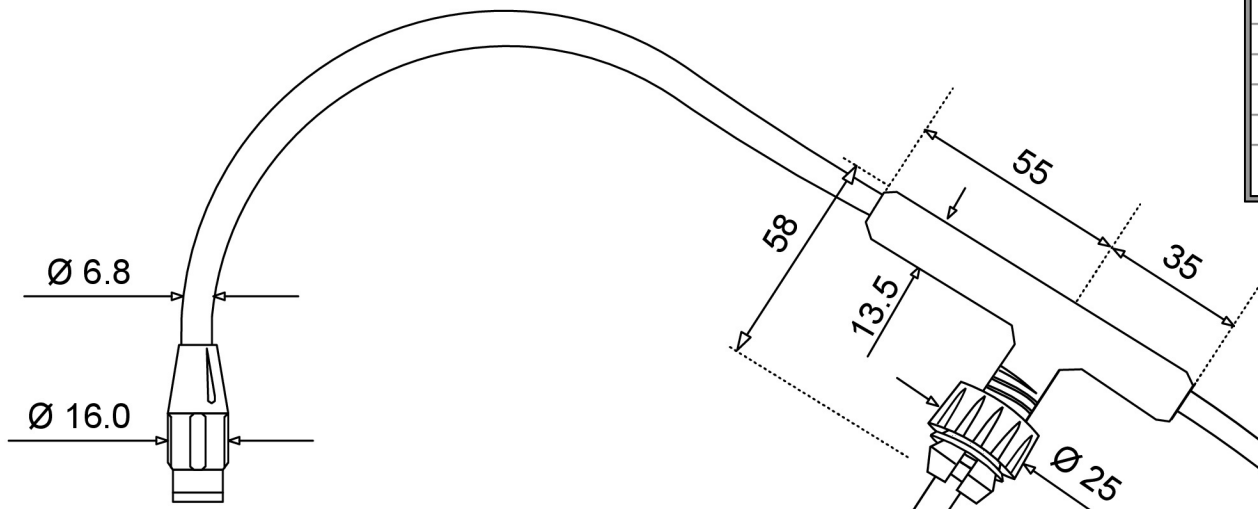
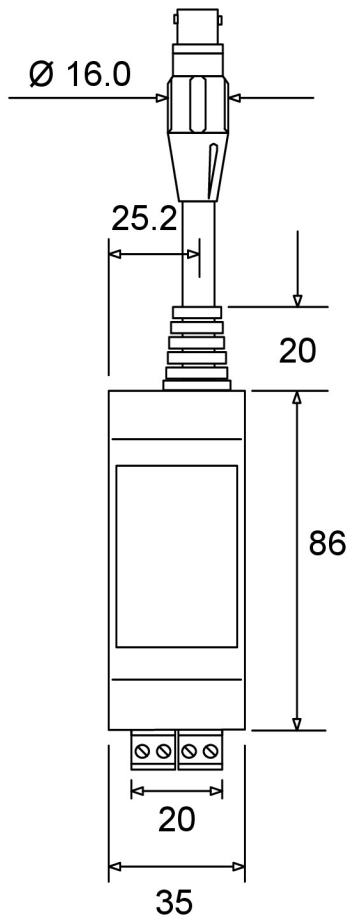
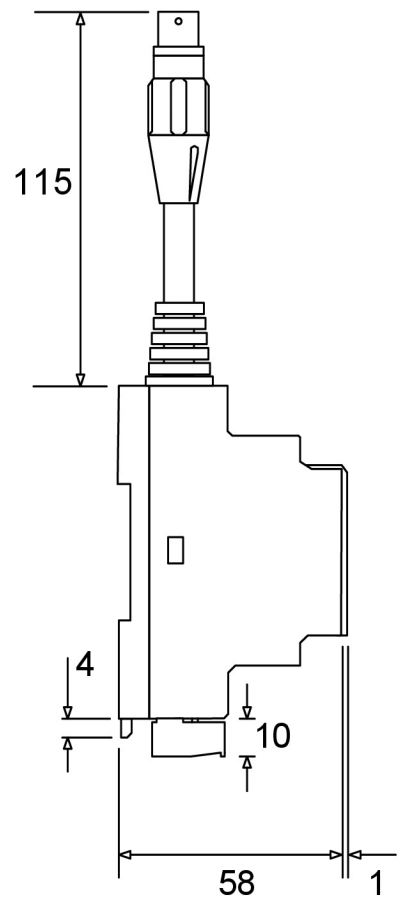
Design file	Dimension Drawing
Product file	RCTi / RCTrms
Revision date	July 2011
Issue No.	002
Sheet No.	1 of 3
Notes	Standard



Coil and Cable lengths are selectable from our standard range or made to specific requirements

**All dimensions mm  
Drawing Not To Scale**

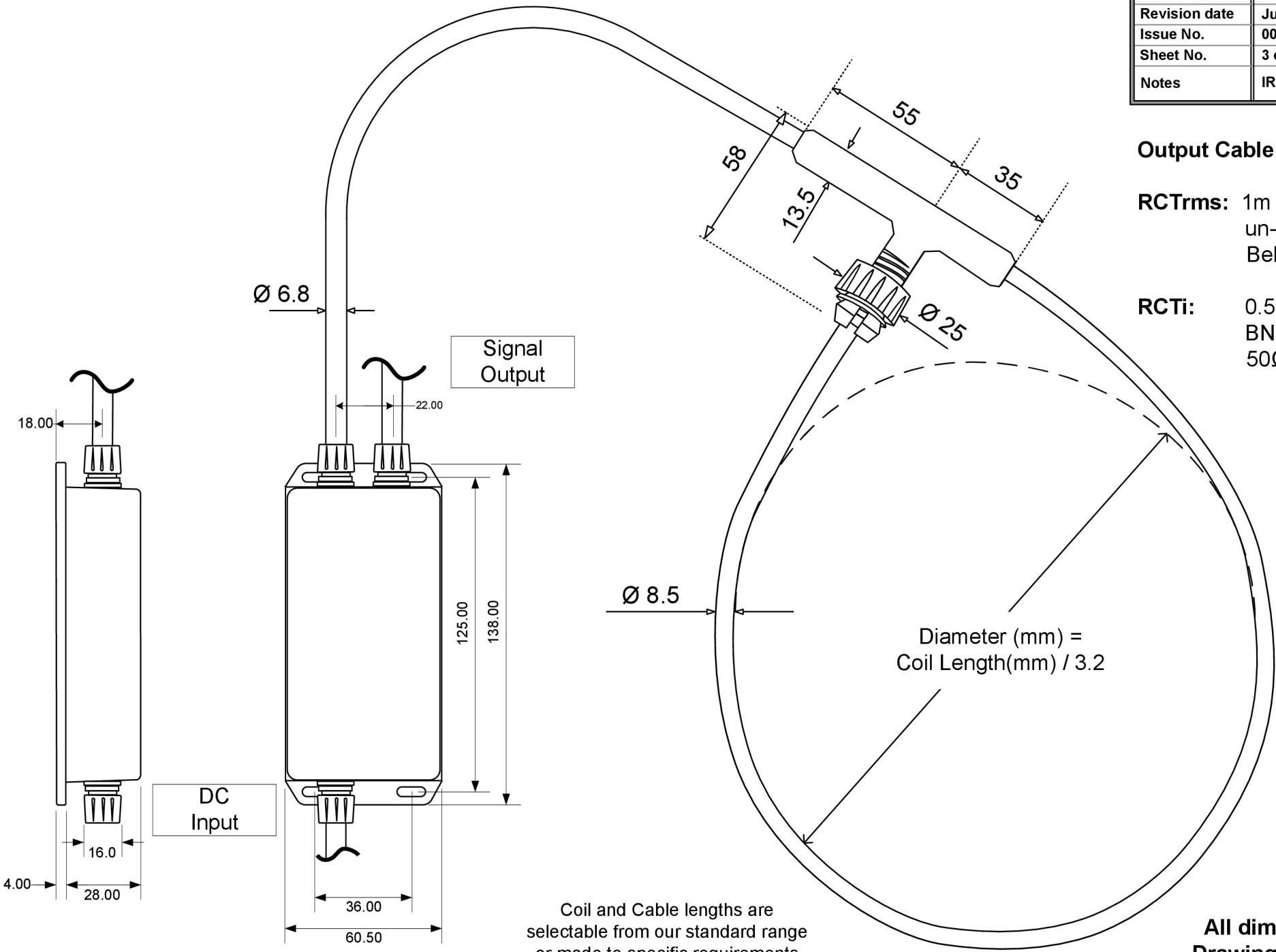
Design file	Dimension Drawing
Product file	RCTi / RCTrms
Revision date	July 2011
Issue No.	002
Sheet No.	2 of 3
Notes	BNC Option



Coil and Cable lengths are selectable from our standard range or made to specific requirements

**All dimensions mm  
Drawing Not To Scale**

Design file	Dimension Drawing
Product file	RCTi / RCTrms
Revision date	July 2011
Issue No.	002
Sheet No.	3 of 3
Notes	IRF Option



**Output Cable Types:**

**RCTrms:** 1m  
un-terminated  
Belden 9105

**RCTi:** 0.5m  
BNC Terminated  
50Ω Coax

Coil and Cable lengths are selectable from our standard range or made to specific requirements

**All dimensions mm  
Drawing Not To Scale**